



WEAPONS CATALOG

AZERSILAH

“Azersilah” Defence Industry Holding” CJSC is a fully state owned enterprise under the auspices of the Ministry of Defence Industry of the Republic of Azerbaijan committed to in the production, sale, and import of a wide range of defence industry products. Committed to innovation, quality, and national security, Azersilah plays a crucial role in strengthening the country’s defence capabilities.

Our mission is to empower nations and safeguard their sovereignty by providing state-of-the-art weapons and defence technologies. Built on a foundation of uncompromising quality and precision, “Azersilah” Defence Industry Holding” CJSC is dedicated to enhancing security at both national and international levels.

With a forward-thinking approach and a global perspective, “Azersilah” Defence Industry Holding” CJSC continues to shape the future of defence, ensuring stability and safety for generations to come.



MINISTRY OF DEFENCE INDUSTRY
OF AZERBAIJAN REPUBLIC

AZERSILAH
DEFENCE INDUSTRY HOLDING

ASSAULT RIFLES



AZ 7.62

7.62x39 mm Assault Rifle

AZ 7.62 is a Kalashnikov-type assault rifle chambered for 7.62×39 mm rounds. Equipped with a folding buttstock and high-strength polymer components, it is optimized for durability, modularity, and close to medium-range engagements. The rifle supports underbarrel attachments and features a side-mounted rail for optical and night sights.

Key Parameters:

- **Caliber:** 7.62×39 mm
- **Barrel length:** 415 mm
- **Overall length:** 935 mm
- **Compact length:** 735 mm
- **Weight (without magazine):** 3.6 kg
- **Weight (with loaded magazine):** 4.1 kg
- **Magazine capacity:** 30 rounds
- **Muzzle velocity:** 715 m/s
- **Rate of fire:** 600 rounds/min
- **Combat fire rate:** 100 rounds/min
- **Semiautomatic effective rate of fire:** 40 rounds/min
- **Point-blank range:** 350 m
- **Sighting radius:** 377 mm
- **Sight reach:** 1000 m
- **Operating mode:** Safe / Full Auto





AK74M

5.45x39 mm Assault Rifle

AK74M is a modernized Kalashnikov assault rifle chambered for 5.45×39 mm rounds. It features a folding buttstock and high-strength polymer components, designed for reliable performance under harsh environmental conditions. The rifle supports underbarrel grenade launchers and optical or night sights via its dovetail side rail.

Key Parameters:

- **Caliber:** 5.45×39 mm
- **Barrel length:** 415 mm
- **Overall length:** 943 mm
- **Compact length:** 705 mm
- **Weight (with loaded magazine):** 3.9 kg
- **Weight (with empty magazine):** 3.6 kg
- **Magazine capacity:** 30 rounds
- **Muzzle velocity:** 900 m/s
- **Rate of fire:** 650 rounds/min
- **Combat fire rate:** 100 rounds/min
- **Semiautomatic effective rate of fire:** 40 rounds/min
- **Sighting range:** 1000 m
- **Operating mode:** Safe / Full Auto





EM14

5.56x45 mm Assault Rifle

EM14 is a Kalashnikov-type assault rifle chambered in NATO-standard 5.56×45 mm. Featuring a folding polymer buttstock and integrated upper rail, it is optimized for optical and night sight compatibility. High-strength polymer components and corrosion-resistant coatings ensure durability in harsh environments. The rifle offers stable cyclic fire and reduced muzzle climb through an effective muzzle brake.

Key Parameters:

- **Caliber:** 5.56×45 mm
- **Barrel length:** 415 mm
- **Overall length:** 935 mm
- **Weight (without magazine):** 3.9 kg
- **Weight (with loaded 30-round magazine):** 4.3 kg
- **Muzzle velocity:** 900 m/s
- **Rate of fire:** 700–800 rounds/min
- **Effective range:** 500 m
- **Magazine capacity:** 30 rounds
- **Operating mode:** Safe / Semi / Auto





SNIPER RIFLES



YALGUZAG

308 Win Sniper Rifle System

YALGUZAG is a precision bolt-action sniper rifle system chambered in .308 Win (7.62×51 NATO), equipped with a suppressor, scope, and tailored ammunition. Designed for first-shot accuracy, it reliably engages head-sized targets at 400 meters and torso-sized targets beyond 800 meters with over 99% hit probability. Built for military-grade durability, the system operates under extreme shock, vibration, and climate conditions.

Key Parameters:

- **Caliber:** .308 Win (7.62×51 NATO)
- **Operation:** Bolt action, manually operated
- **Barrel length:** 660 mm
- **Rifling:** 4 grooves, RH twist, 1:11"
- **Effective range:** 1000 m
- **Accuracy:** <15 mm standard deviation at 100 m

- **Magazine capacity:** 10 rounds (detachable)
- **Trigger pull:** 1.5–2.5 kg (adjustable without disassembly)
- **Bolt configuration:** 3 locking lugs, 60° opening angle
- **Sight radius:** 727 mm
- **Weight (rifle only):** 7.01 kg

Dimensions:

- **Overall length:**
 - Buttstock folded: 906 mm
 - Buttstock open: 1139 mm (+75 mm extension)
- **Width (without bolt):**
 - Buttstock folded: 85 mm
 - Buttstock open: 48 mm





Environmental & Mechanical Tolerance:

- **Shock resistance:** 500 shocks at 15 g / 6 ms
- **Vibration resistance:** 10–500 Hz, 1.04 g (2 h); 4.8 g (30 min)
- **Drop resistance:** 1.5 m without accidental discharge
- **Operational temperature:** –30°C to +65°C
- **Storage conditions:** –30°C to +65°C, 95% RH for 72 h
- **Barrel life:** >6000 rounds
- **Max allowable pressure:** 4773 bar



YIRTIJI

7.62x54R mm Semi-Automatic Sniper Rifle

YIRTIJI is a semi-automatic sniper rifle system chambered in 7.62×54R mm, designed for precision engagement of moving, camouflaged, and open individual targets. Equipped with a rotating bolt and adjustable gas regulator, it ensures reliable cycling under varying operational conditions. Compatible with both standard and specialized sniper ammunition, the system is fitted with an optical sight for accurate fire during day, night, and twilight operations.

Key Parameters:

- **Caliber:** 7.62×54R mm
- **Operation:** Semi-automatic, gas-operated
- **Barrel length:** 620 mm
- **Muzzle velocity:** 830 m/s
- **Effective range:** 1000 m
- **Magazine capacity:** 10 rounds (detachable)
- **Weight:** 6.0 kg

Dimensions:

- **Overall length:**
 - Buttstock folded: 951 mm
 - Buttstock open: 1185 mm

Environmental & Mechanical Tolerance:

- **Operating temperature range:** ±50°C





YST-24

7.62x54R mm Semi-Automatic Sniper Rifle

YST-24 is a gas-operated, semi-automatic sniper rifle chambered in 7.62×54R mm, designed for precision engagement of open, moving, or camouflaged single targets. It offers reliable performance and high accuracy with both optical and mechanical sights, making it suitable for individual use in various tactical conditions.

Key Parameters:

- **Caliber:** 7.62 mm
- **Cartridge:** 7.62×54R mm
- **Effective range:**
 - With optical sight: 1100 m
 - With mechanical sight: 1000 m
- **Operation:** Gas-operated, semi-automatic
- **Muzzle velocity:** 830 m/s
- **Magazine capacity:** 10 rounds (detachable)
- **Weight (with empty magazine):** 3.8 kg
- **Operating temperature range:** ±60°C





PISTOLS



INAM

9x19 mm Semiautomatic Pistol

INAM is a compact and reliable semiautomatic pistol chambered in 9x19 mm, intended for military and law enforcement personnel. Designed for high performance in diverse operational environments, it features a double-sided safety lever and short recoil operation system to ensure secure and efficient handling.

Key Parameters:

- **Caliber:** 9x19 mm
- **Action:** Semiautomatic, short recoil
- **Sighting range:** 50 m
- **Magazine capacity:** 15 / 17 / 20 rounds
- **Safety system:** Ambidextrous lever, firing pin and slide block, hammer decocker
- **Sights:** Fixed front sight, non-adjustable
- **Muzzle velocity:** 340±10 m/s
- **Mass (with empty magazine):** 860 g



Dimensions:

- **Length:** 191 mm
- **Width:** 33 mm
- **Height:** 140 mm
- **Barrel length:** 110 mm

Operating Temperature Range:

±50°C



ZAFAR P

9x19 mm Semiautomatic Pistol

ZAFAR P is a lightweight and reliable semiautomatic pistol chambered for 9×19 mm, designed for tactical and personal defense use. It features an adjustable front sight and ambidextrous safety system, ensuring operational safety and accuracy under diverse field conditions.

Key Parameters:

- **Caliber:** 9×19 mm
- **Action:** Semiautomatic, short recoil
- **Sighting range:** 50 m
- **Magazine capacity:** 15 / 17 / 20 rounds
- **Sights:** Front, adjustable
- **Safety system:** Ambidextrous lever, firing pin and slide block, hammer decocker
- **Muzzle velocity:** 340±10 m/s
- **Mass (with empty magazine):** 835 g



Dimensions:

- **Length:** 183 mm
- **Width:** 33 mm
- **Height:** 140 mm
- **Barrel length:** 102 mm

Operating Temperature Range:

±50°C



ZAFAR

9x19 mm Semiautomatic Pistol

ZAFAR is a full-size semiautomatic pistol chambered in 9×19 mm, designed for military and law enforcement applications requiring extended sighting range and robust construction. The weapon features an adjustable front sight, enhanced muzzle velocity, and a reinforced frame for sustained operational use.

Key Parameters:

- **Caliber:** 9×19 mm
- **Action:** Semiautomatic, short recoil
- **Sighting range:** 75 m
- **Magazine capacity:** 15 / 20 rounds
- **Sights:** Front, adjustable
- **Safety system:** Ambidextrous lever, firing pin and slide block, hammer decocker
- **Muzzle velocity:** 350±10 m/s
- **Mass (with empty magazine):** 950 g



Dimensions:

- Length: 204.5 mm
- Width: 37 mm
- Height: 139 mm
- Barrel length: 117 mm

Operating Temperature Range:

±50°C



ZAFAR K

9x19 mm Semiautomatic Pistol

ZAFAR K is a compact variant of the ZAFAR pistol family, chambered in 9×19 mm. Designed for operational efficiency and portability, it offers reliable performance and quick target engagement in close-quarters scenarios.

Key Parameters:

- **Caliber:** 9×19 mm
- **Action:** Semiautomatic, short recoil
- **Sighting range:** 50 m
- **Magazine capacity:** 15 rounds
- **Muzzle velocity:** 340±10 m/s
- **Mass (with empty magazine):** 0.94 kg



Dimensions:

- Length: 190 mm
- Width: 37 mm
- Height: 139 mm
- Barrel length: 105 mm

Operating Temperature Range:

±50°C



**MACHINE
GUNS**



HP-7.62

7.62x54R Light Machine Gun

HP-7.62 is a lightweight, belt-fed machine gun chambered in 7.62×54R mm, designed for effective suppression of enemy troops, firing positions, and light aerial targets. Its modular structure allows use on various mounts including vehicle, naval, and airborne platforms. The system is equipped with a robust bipod, Picatinny rails, and a gas regulator for adjustable firing performance.

Key Parameters:

- **Caliber:** 7.62×54R mm
- **Operation:** Long-stroke gas operation
- **Firing mode:** Continuous
- **Rate of fire:** 650 rounds/min
- **Effective rate of fire:** 250 rounds/min
- **Muzzle velocity:** 820 m/s
- **Effective firing range:** 1000 m
- **Barrel length:** 517 mm
- **Overall length:**
 - Buttstock folded: 980 mm
 - Buttstock open: 1080 mm
- **Weight (without ammunition box):** 8.6 kg
- **Feed system:** 100-round belt in detachable metal box
- **System life:** 25,000 rounds



Features:

- Compatible with multiple mounts (vehicle, aircraft, sea platforms)
- Equipped with Picatinny rails for optics
- Heavy-duty folding bipod
- Adjustable gas regulator
- Quick field disassembly for maintenance



UP-7.62

7.62x54R Machine Gun

UP-7.62 is a general-purpose, gas-operated machine gun chambered in 7.62×54R mm, engineered for automatic fire against personnel, light firing points, and aerial targets. Designed for high durability in extreme climatic conditions, it supports belt-fed ammunition and optional optical sight mounting via a rail interface.

Key Parameters:

- **Caliber:** 7.62 mm
- **Cartridge:** 7.62×54R mm
- **Operation:** Gas operated
- **Firing mode:** Automatic
- **Rate of fire:** 650 rounds/min
- **Effective rate of fire:** 250 rounds/min
- **Muzzle velocity:** 825 m/s
- **Maximum effective range:** 3800 m
- **Sighting range:** 1500 m
- **Barrel length:** 605 mm
- **Sight radius:** 663 mm
- **Overall length:** 1160 mm
- **Weight (without ammunition box):** 8.7 kg
- **Feed system:**
 - Belt-fed (100 / 200 rounds) in metal box
- **Weight of ammunition box (loaded):**
 - 100-round belt: 3.9 kg
 - 200-round belt: 6.5 kg
- **System life:** 25,000 rounds



Ammunition Types:

- Ordinary bullets
- Armour Piercing-Incendiary (API)
- Tracer

Features:

- Designed for reliable operation in extreme climates
- Optional mounting rail for optical devices



AH-12.7

12.7x108 mm Heavy Machine Gun

AH-12.7 is a heavy machine gun chambered for 12.7×108 mm rounds, designed to support assault units in engaging low-flying air targets, armored vehicles, and enemy personnel. The system features a balanced recoil mechanism, minimizing muzzle climb and improving firing stability during sustained bursts. Its high-caliber firepower, combined with reliable performance, makes it suitable for both mobile and stationary roles.

Key Parameters:

- **Caliber:** 12.7×108 mm
- **Sighting range (ground targets):** 2000 m
- **Rate of fire (technical):** 540–600 rounds/min
- **Muzzle velocity:** 820±40 m/s
- **Magazine capacity:** 60 rounds

Weight (Machine Gun & Mount):

- **Weapon only (empty):** 21 kg
- **With mount (without ammunition box and belt):** 38 kg

Overall Length:

- **Buttstock open:** 1850 mm
- **Buttstock closed:** 1600 mm



AZ-12.7

Twin-Barrel Heavy Machine Gun

AZ-12.7 is a heavy machine gun chambered for 12.7×108 mm rounds, developed to deliver high-volume fire support against light armored vehicles, enemy personnel, and low-flying aerial targets. Designed for use in both mobile and fixed positions, the system provides superior firepower over extended distances. Its dual-barrel construction ensures sustained firing capacity, while the robust structure maintains operational reliability under intense combat conditions.

Key Parameters:

- **Caliber:** 12.7×108 mm
- **Effective range:** 2000 m
- **Rate of fire (technical):** 700–800 rounds/min
- **Combat fire rate:** 80–100 rounds/min
- **Muzzle velocity:** 820±40 m/s
- **Ammunition box capacity:** 50 rounds

Weight :

- **With mount (without ammunition box and belt):** 32±0.5 kg

Overall Length:

- **Total length:** 1900±20 mm





AZ-14.5

14.5x114 mm Heavy Machine Gun

AZ-14.5 is a heavy machine gun chambered in 14.5×114 mm, designed for engaging aerial targets, lightly armored vehicles, weapon systems, and light fortifications. It features short recoil operation and can be mounted on various platforms for static or mobile defense roles.

Key Parameters:

- **Caliber:** 14.5×114 mm
- **Operation:** Short recoil
- **Effective range (mechanical sight):** 2000 m (ground targets)
- **Rate of fire:** 550±50 rounds/min
- **Muzzle velocity (B-32):** 980±25 m/s
- **Feed system:** 50-round belt
- **Weight of empty ammunition box:** 3.9±0.3 kg
- **System life:** 6000 rounds

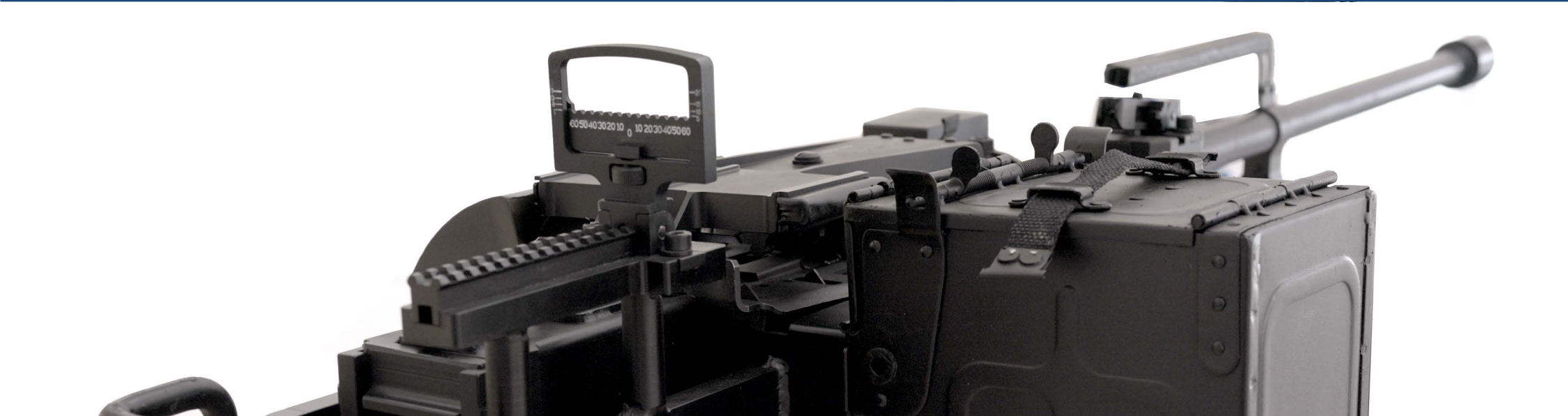
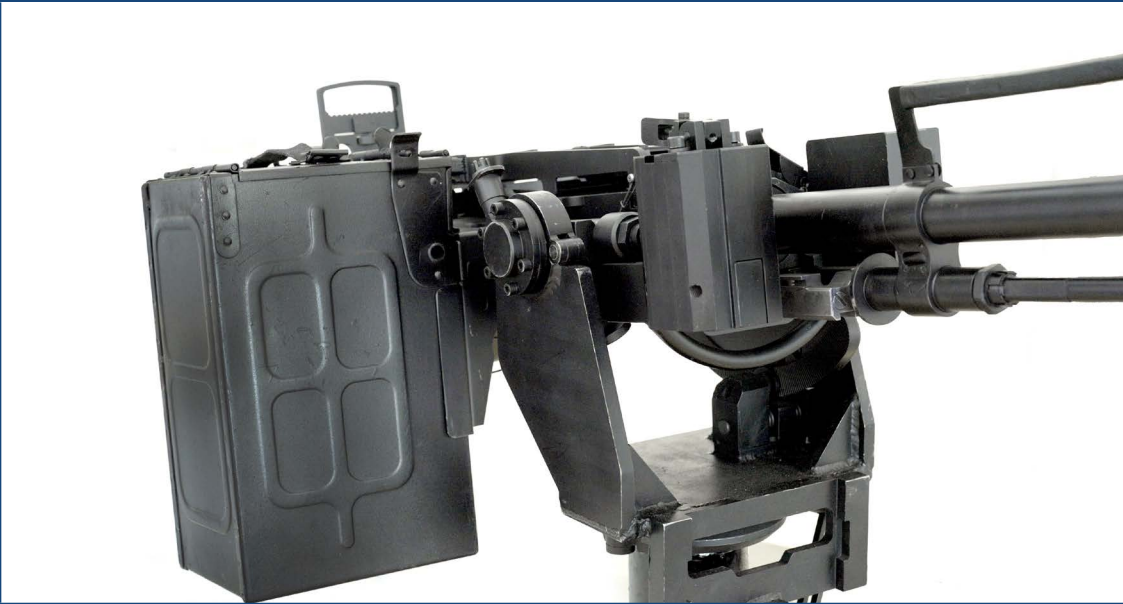
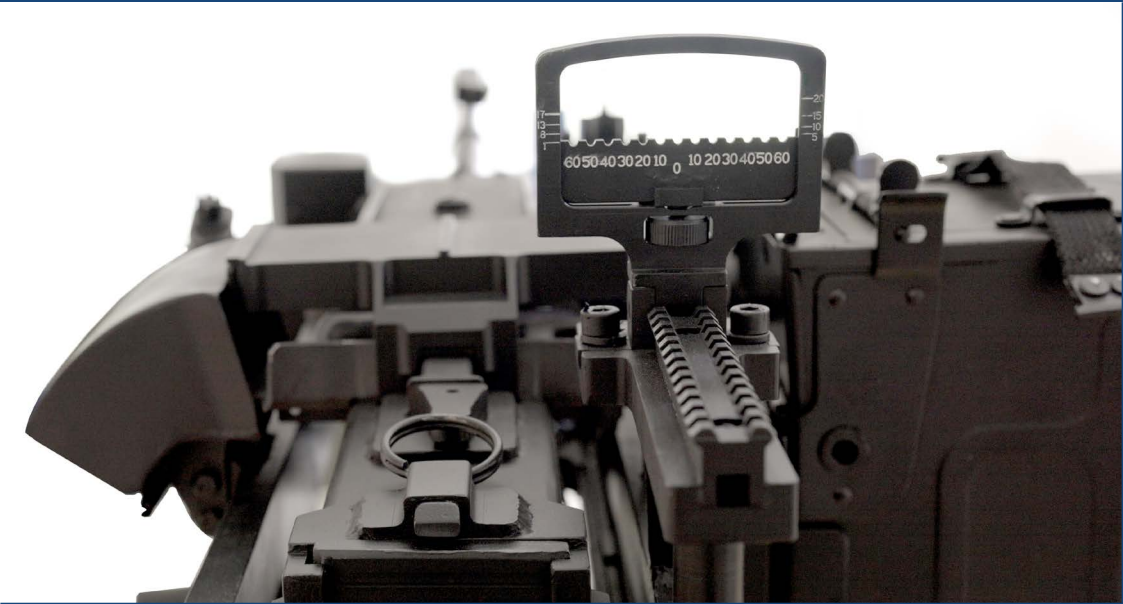


Weight (Machine Gun & Mount):

- **Weapon only (empty):** 31 kg
- **With mount (no belt or box):** 71 kg
- **With mount and loaded ammunition box:** 102 kg

Overall Dimensions (with mount, 0° elevation):

- **Length:** 2000 mm
- **Width:** 750 mm
- **Height:** 630 mm



TP

7.62x54R mm Tank Machine Gun

TP is a gas-operated, automatic coaxial machine gun chambered in 7.62×54R mm, designed for integration with main battle tanks and armored fighting vehicles. It operates via propellant gas diversion through a barrel vent, delivering reliable sustained fire against enemy personnel and light targets under armored combat conditions.

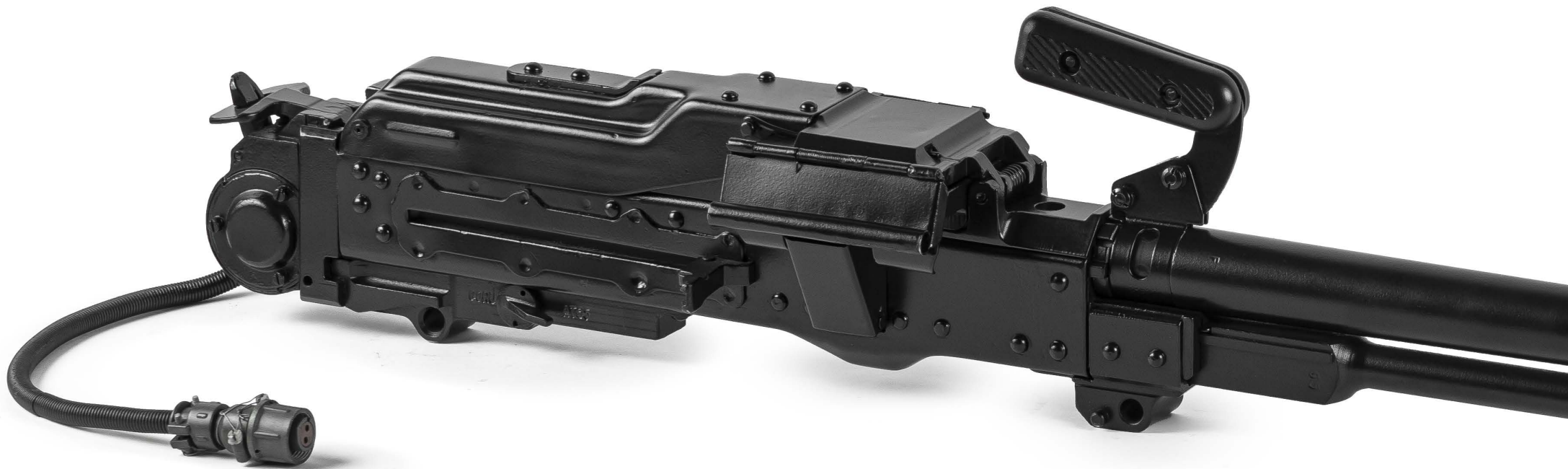
Key Parameters:

- **Caliber:** 7.62 mm
- **Cartridge:** 7.62×54R mm
- **Operation:** Gas-operated
- **Fire mode:** Automatic
- **Rate of fire:** 700–800 rounds/min
- **Practical rate of fire:** up to 250 rounds/min
- **Muzzle velocity:** 825 m/s
- **Maximum effective range:** 3800 m
- **Sighting range:** 1500–2200 m
- **Ammunition box capacity:** 250 / 1000 rounds
- **Barrel length:** 722 mm
- **Overall length:** 1098 mm
- **Weight (without ammunition box):** 10.5 kg
- **Weight (250-round box, loaded):** 9.4 kg
- **System life:** 25,000 rounds



Ammunition Types:

- Ordinary
- Armour Piercing-Incendiary (API)
- Tracer



ANTI-MATERIEL RIFLES



IST-12.7

0013-23

12.7x100mm

0013

127 x 100 mm

AGR-57

0001

IST-12.7

12.7x108 mm Anti-Materiel Rifle

IST-12.7 is a gas-operated, semi-automatic anti-materiel rifle designed to defeat armored personnel carriers, light vehicles, communication systems, and critical infrastructure at long ranges. Capable of firing various high-caliber ammunition types, it provides precise engagement with minimal recoil impact. The rifle is optimized for operations in extreme climatic and environmental conditions.

Key Parameters:

- **Caliber:** 12.7 mm
- **Cartridge:** 12.7×108 mm
- **Operation:** Gas operated
- **Firing mode:** Semi-automatic
- **Magazine capacity:** 7 rounds
- **Muzzle velocity:** 845 m/s
- **Effective range:** 2000 m
- **Overall length:** 1800 mm
- **Barrel length:** 1000 mm
- **Weight (dismantled, with scope):** 16 kg
- **Rifling:** 8 grooves, right-hand twist
- **Rifling pitch:** 381 mm
- **Scope:** 6–24×56 telescopic sight with dioptic adjustment and illuminated reticle



Recoil and Penetration:

- Recoil: Managed for reduced shooter fatigue
- Penetration capability: 20 mm armor plate at 100 m (B-32, API, 90% probability)

Ammunition Types:

- Armour Piercing-Incendiary (API)
- Armour Piercing-Incendiary-Tracer (API-T)
- High Explosive Incendiary (HEI)

Mountings:

- Adjustable bipod (front)
- Adjustable monopod (rear)



Environmental Tolerance:

- Operating temperature: -50°C to $+50^{\circ}\text{C}$
- Relative humidity: 93–97% at $+25^{\circ}\text{C}$
- Resistant to rain, snow, sand, and dust

Applications:

- Anti-vehicle and infrastructure targeting
- Border and water basin defense
- Effective against lightly armored ground and naval assets

IST-14.5

14.5x114 mm Anti-Materiel Rifle

IST-14.5 is a high-caliber, semi-automatic anti-materiel rifle designed for long-range precision engagement of hardened targets. Chambered in 14.5x114 mm, it delivers high-impact firepower with a unique recoil management system, ensuring reduced shooter fatigue and safe operation under harsh environmental conditions. The weapon is dismountable for transport and man-portable by a two-person crew.

Key Parameters:

- **Caliber:** 14.5 mm
- **Cartridge:** 14.5x114 mm
- **Operation:** Short recoil, semi-automatic
- **Magazine capacity:** 5 rounds
- **Effective range:** 2000 m
- **Weight (dismantled with scope):** 28 kg

- **Muzzle velocity:**
 - 945–990 m/s (B-32 API, 63.9 g)
 - 1015 m/s (MDZ Incendiary, 58.5 g)
- **Overall length:** 2256 mm
- **Barrel length:** 1300 mm

Scope:

- POSP 8x42D (2000) telescopic sight
- Dioptic adjustment and illuminated reticle

Mountings:

- Adjustable bipod (front)
- Adjustable monopod (rear)



Recoil and Penetration:

- High-efficiency muzzle brake
- Integrated barrel spring
- Special spring buffer system

Ammunition Types:

- Armour Piercing-Incendiary (API)
- Armour Piercing-Incendiary-Tracer (API-T)
- Incendiary
- High Explosive Incendiary (HEI)

Environmental Tolerance:

- Temperature range: -50°C to $+50^{\circ}\text{C}$
- Relative humidity: 93–97% at $+25^{\circ}\text{C}$
- Resistant to rain, snow, sand, and dust



Portability:

- **Standard:** Transport and storage box
- **Optional:** Two-man backpack configuration
 - 1x receiver pack
 - 1x barrel & accessories pack

Applications:

- Engagement of light armored vehicles and IFVs
- Neutralization of parked aircraft and ammunition depots
- Disruption of enemy command and communication assets
- Anti-personnel missions under concealment

NST-14.5

14.5x114 mm Anti-Materiel Rifle

NST-14.5 is a precision, semi-automatic anti-materiel rifle chambered in 14.5×114 mm, designed to engage armored vehicles, infrastructure targets, and personnel at long range. The system incorporates an advanced recoil management mechanism to reduce shooter fatigue and allows for rapid follow-up shots. It is optimized for operation in extreme environments and can be disassembled into two parts for man-portable transport.

Key Parameters:

- **Caliber:** 14.5 mm
- **Cartridge:** 14.5×114 mm
- **Operation:** Semi-automatic, magazine-fed
- **Magazine capacity:** 4 rounds
- **Muzzle velocity:** 950±40 m/s
- **Firing rate:** 8–10 rounds/min

- **Effective range:**
 - With optical sight: 1600 m
 - With mechanical sight: 800 m
- **Overall length:** 1900 mm
- **Weight:** 21 kg (±5%)

Mountings:

- Adjustable front bipod
- Adjustable rear monopod

Portability:

- Dismountable into two packs for crew transport



Ammunition Types:

- Armour Piercing-Incendiary (API)
- Armour Piercing-Incendiary-Tracer (API-T)
- Incendiary
- High Explosive Incendiary (HEI)

Applications:

- Anti-vehicle and light armor neutralization
- Ammunition depot ignition from safe distance
- Destruction of communication and surveillance systems
- Long-range engagement of personnel in concealment

Environmental Tolerance:

- Operating temperature: -50°C to $+50^{\circ}\text{C}$
- Relative humidity: 93–97% at $+25^{\circ}\text{C}$
- Resistant to rain, snow, sand, and dust



IST-23

23x115 mm Anti-Materiel Rifle

IST-23 is a high-caliber bolt-action anti-materiel rifle designed to engage a wide range of hardened targets, including light armored vehicles, command and control systems, and parked aircraft. Equipped with a robust recoil management system, it delivers accurate, high-impact fire while maintaining operator comfort in tactical conditions.

Key Parameters:

- **Caliber:** 23x115 mm
- **Operation:** Bolt-action, single-shot
- **Muzzle velocity:** 715 m/s
- **Effective range:** 2000 m
- **Weight:** 34 kg
- **Overall length:** 1770 mm
- **Barrel length:** 1000 mm
- **Feed system:** Manual
- **Bolt:** Manual with 6 locking lugs
- **Safety:** Finger-operated safety catch
- **Trigger:** Double-stage, adjustable pull
- **Sighting:** Telescopic scope 8x42

Portability:

- **Standard:** Weapon transport and storage box
- **Optional:** Two-man backpack kit (weapon + accessories)

Mountings:

- **Adjustable, detachable bipod**
- **Adjustable rear monopod**



Barrel & Recoil System:

- **Barrel assembly:** Detachable with precision nut
- **Barrel bedding:** Free-floating
- **Recoil management:** High-efficiency muzzle brake, dual-action hydraulic damper, and spring buffer

Ammunition Types:

- **HEI** (High Explosive Incendiary)
- **HEI-T** (High Explosive Incendiary Tracer)
- **API-T** (Armour Piercing Incendiary Tracer)



VEHICLE- MOUNTED WEAPONS



AT-30

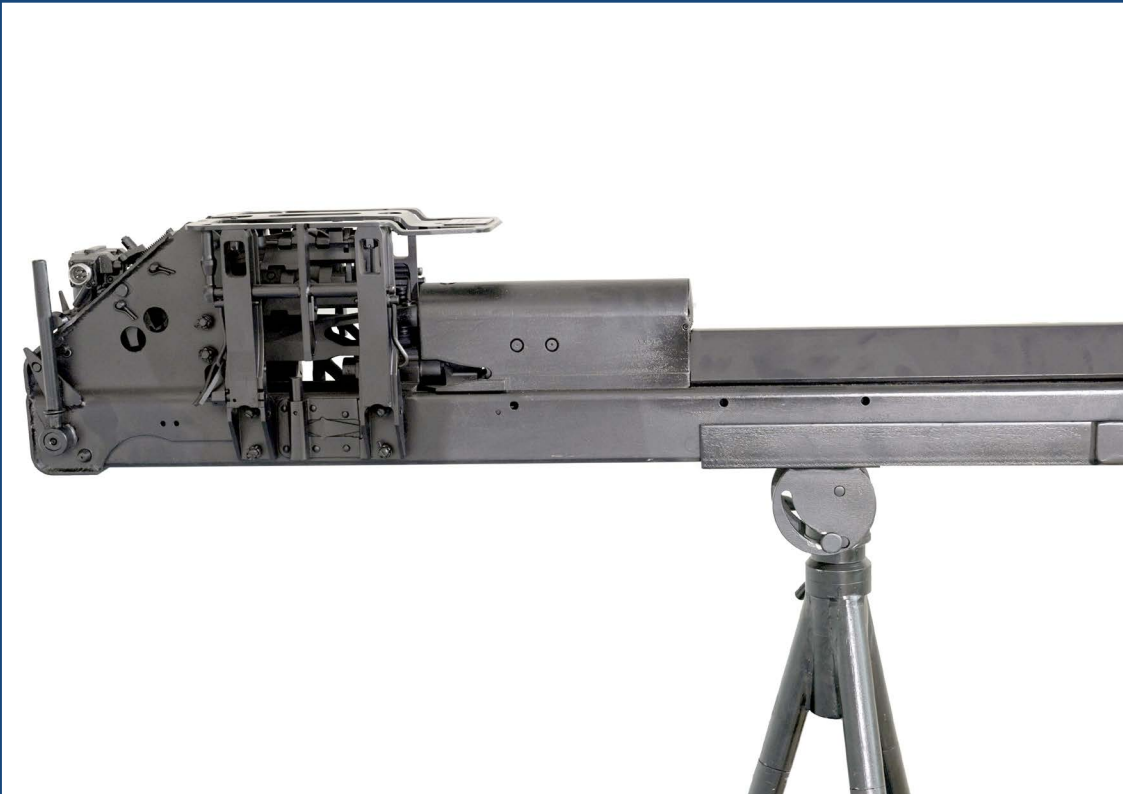
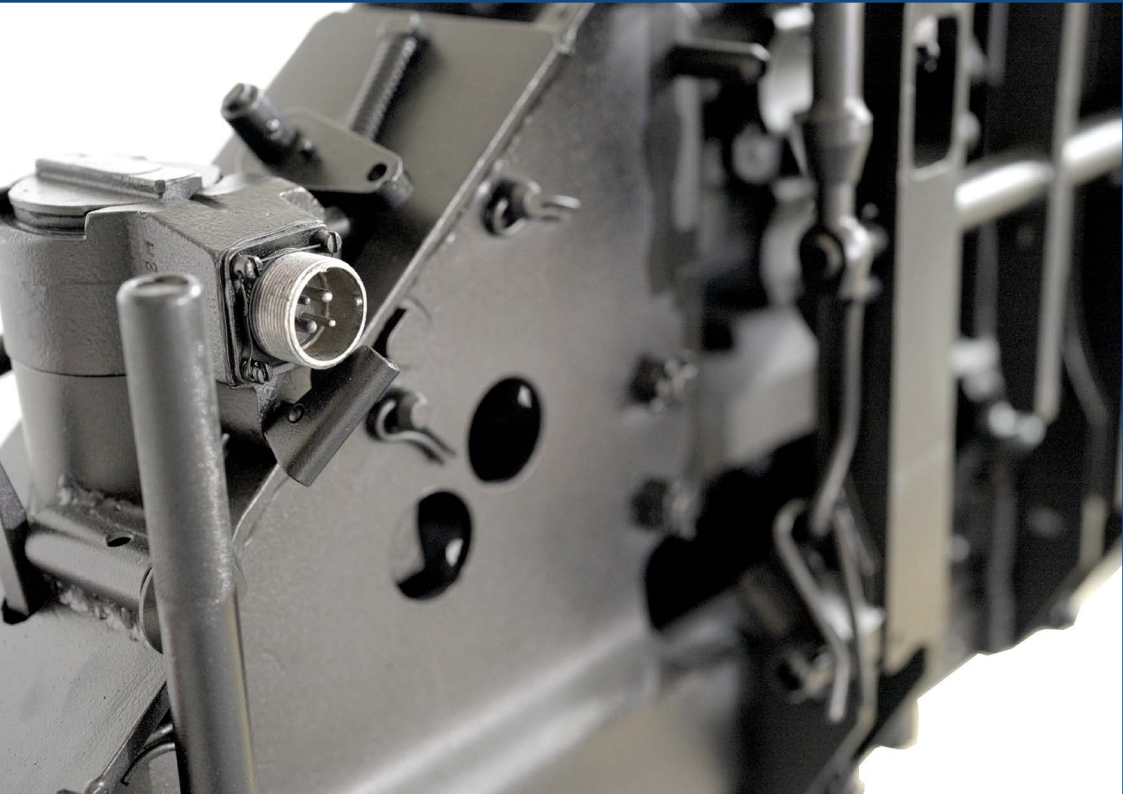
30 mm Automatic Cannon

AT-30 is a 30 mm automatic cannon designed for engaging enemy personnel, light armored vehicles, and exposed targets with high precision. Capable of both ground and limited aerial target suppression, the system features dual-rate fire modes and an automatic loading mechanism, delivering reliability and combat effectiveness at ranges up to 2000 meters.

Key Parameters:

- **Caliber:** 30 mm
- **Rate of fire (high):** 550 rounds/min
- **Rate of fire (low):** 200–300 rounds/min
- **Initial bullet speed:** 960 m/s
- **Effective range:** 1500 m
- **Maximum range:** 2000 m
- **Grooves:** 16
- **Groove length:** 715.5 mm
- **Cannon length:** 3027 mm
- **Weight (cannon only):** 115 kg
- **Weight (barrel only):** 38.5 kg
- **System life:** 6000 rounds





GRENADE LAUNCHERS



RBG 40 mm / 6M11

Revolver-Type Grenade Launcher

RBG 40 mm / 6M11 is a shoulder-fired, self-cocking grenade launcher featuring a six-chamber revolving cylinder. Designed for rapid area suppression and fire support, it is equipped with a built-in mechanical sight and a top accessory rail for mounting optical or reflex sights. The system offers reliability and ease of use in both open and urban combat scenarios.

Key Parameters:

- **Caliber:** 40×46 mm
- **Operation:** Self-cocking, manual revolver-type
- **Magazine capacity:** 6 rounds
- **Rate of fire:** 18–20 shots/min
- **Sighting range:** 400 m
- **Overall length:** 730 mm
- **Weight:** 6.3 kg
- **Operating mode:** Safe / Fire





TAG-7V2

40 mm Recoilless Grenade Launcher

TAG-7V2 is a shoulder-fired, recoilless grenade launcher designed for anti-armor operations. Featuring a back-loaded, disposable grenade system and integrated optical sight, it allows accurate engagement of both fixed and moving targets at distances up to 500 meters. Compact and lightweight, the system is suitable for rapid deployment in infantry units.

Key Parameters:

- **Caliber:** 40 mm
- **Overall length:** 953 mm
- **Weight (without sight):** 6.4 kg
- **Rate of fire:** 4–6 shots/min
- **Sighting range:** 500 m
- **Operating mode:** Safe / Fire





AGK-30

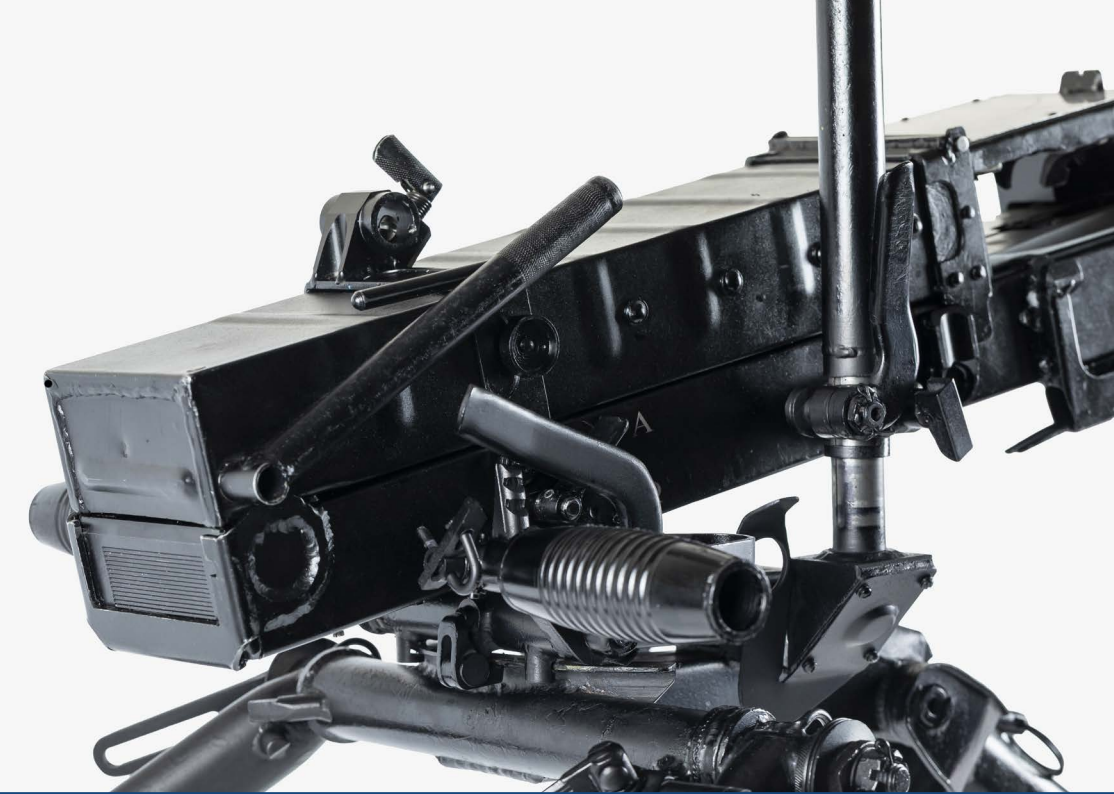
30x29 mm Automatic Grenade Launcher

AGK-30 is an automatic grenade launcher system designed for high-volume fire support against both exposed and sheltered enemy personnel. Suitable for infantry deployment across diverse operational environments, it combines high rate of fire with extended effective range using multiple grenade types.

Key Parameters:

- **Caliber:** 30x29 mm
- **Rate of fire:** 400 rounds/min
- **Magazine capacity:** 30 rounds
- **Effective range:**
 - With mechanical sight: 1730 m
 - With optical sight: 2100 m
- **Muzzle velocity (VOG-17M):** 185±2.5 m/s
- **Ammunition types:** VOG-17M, VOG-30, GPD-30
- **Weight (launcher only):** 16.5±0.5 kg
- **Weight of empty ammunition box:** 3±0.3 kg
- **Overall dimensions:** 490×760×1200 mm
(with extended mount legs at 0° elevation)





MORTARS



COMMANDO

60 mm Light Infantry Mortar

COMMANDO is a lightweight, smoothbore 60 mm mortar designed for infantry platoons and special forces, providing rapid close-support fire in diverse terrains. Its compact construction and drop-fire mechanism allow quick deployment without complex aiming tools, making it particularly effective in forest and mountainous warfare.

Key Parameters:

- **Caliber:** 60 mm
- **Firing range:** up to 1600 m
- **Elevation range:** 45° to 84°
- **Rate of fire:** 20 rounds/min
- **Overall length:** 650 mm
- **Total weight:** 7.5 kg
- **Bomb weight:** 1.6 kg
- **Propelling charges:** 0 / 1 / 2
- **Crew:** 2 operators
- **Firing method:** Drop-fire on fixed firing pin
- **Aiming system:** Elevation vial with mil and meter scale alignment





20N6M

60 mm Dual-Purpose Mortar

20N6M is a versatile 60 mm mortar system designed for both bipod-mounted and commando-style firing configurations. Ideal for infantry platoons and squad-level fire support, it delivers effective firepower in open, urban, and close-combat environments. Its elevation sight unit features integrated range scales, eliminating the need for external range tables.

Key Parameters:

- **Caliber:** 60 mm
- **Firing range:**
 - Bipod mode: 150–2550 m
 - Commando mode: 150–1600 m
- **Overall length:** 740 mm
- **Elevation:** 45° to 85°
- **Bomb weight:** 1.6 kg
- **Firing method:** Drop-fire on fixed firing pin

- **Aiming system:** Vial elevation sight with
- **Propelling charges:**
 - Bipod mode: 0 / 1 / 2 / 3 / 4
 - Commando mode: 0 / 1 / 2
- **Weight (without sight):**
 - Bipod mode: 18.5 kg
 - Commando mode: 9.5 kg
- **Crew:** 2 operators integrated mil/meter scales
- **Ammunition compatibility:** All standard 60 mm qualified rounds





20N6MT

60 mm Long-Range Mortar

20N6MT is a long-range 60 mm mortar system designed to provide extended indirect fire support for infantry units operating in open terrain. Featuring a smoothbore barrel and fixed pin drop-fire mechanism, the system supports propelling charges up to level 4, enabling engagements at ranges up to 3500 meters. Integrated elevation scales eliminate the need for external range tables.

Key Parameters:

- **Caliber:** 60 mm
- **Firing range:** 190–3250 m
- **Overall length:** 940 mm
- **Elevation:** 45° to 85°
- **Bomb weight:** 1.6 kg
- **Propelling charges:** 0/1/2/3/4
- **Weight (without sight):** 19 kg
- **Crew:** 2 operators
- **Firing method:** Drop-fire on fixed firing pin
- **Aiming system:** Elevation vial sight with integrated mil/meter scales
- **Ammunition compatibility:** All qualified 60 mm rounds in global use





20N5

81/82 mm Long-Range Mortar

20N5 is a heavy, long-range mortar system designed for company- and battalion-level fire support. Capable of engaging targets at distances up to 6670 meters, it operates using a drop-fire mechanism with fixed firing pin. The mortar supports multiple propelling charge levels and is compatible with all standard 81/82 mm ammunition types in use worldwide.

Key Parameters:

- **Caliber:** 81/82 mm
- **Firing range:** 220-6670/ up to 4000
- **Overall length:** 1540/1440 mm
- **Elevation:** 45° to 85°
- **Bomb weight:** 3.1 kg
- **Crew:** 4 operators

- **Propelling charges:**

0/1/2/3/4/5/6/7/0/1/2/3/4/5

- **Weight (without sight):** 54,2/48,2 kg
- **Firing method:** Drop-fire on fixed firing pin
- **Aiming system:** Elevation vial sight with integrated mil/meter scales
- **Ammunition compatibility:** All qualified 81/82 mm mortar rounds





SAFIYAR

120 mm Heavy Mortar

SAFIYAR is a high-caliber, long-range mortar system developed for battalion and brigade-level indirect fire support. With a smoothbore barrel and fixed firing pin, the system uses propelling charges up to level 10 to achieve ranges up to 7200 meters. Its elevation sight features integrated mil and meter scales, ensuring precise alignment without external range tables.

Key Parameters:

- **Caliber:** 120 mm
- **Firing range:** 450–7200 m
- **Barrel length:** 1700 mm
- **Elevation:** 45° to 85°
- **Bomb weight:** 14.0 kg
- **Propelling charges:** 0–10
- **Weight (without sight):** 155.0 kg
- **Crew:** 5 operators
- **Firing method:** Drop-fire on fixed firing pin
- **Aiming system:** Elevation vial sight with integrated mil/meter scales
- **Ammunition compatibility:** All qualified 120 mm mortar rounds





SIGHTS & OPTICS



QON-1

№
A 430125

KN-A

№
M430321

0
MAX
↑
MIN
0

SAK

Collimator Bore Sight Device

SAK is a bore sight collimator designed for quick zeroing and alignment of optical, collimator, and night sights on small arms chambered in 5.45 mm and 7.62 mm calibers. It enables rapid verification and adjustment of weapon sights after storage or field use, significantly reducing ammunition consumption. The system includes interchangeable barrel inserts for multiple caliber compatibility and illuminated reticle for use in low-light conditions.



Key Parameters:

- **Application:** Zeroing of day/night sights on 5.45 mm / 7.62 mm firearms
- **Collimator focusing distance:** up to 200 m
- **Lens clear aperture:** 35 mm
- **Maximum parallel misalignment:** 1 MOA
- **Distance between optical and barrel insert axes:** 60 mm / 80 mm
- **Reticle illumination power supply:** 3 V (CR1/3N battery)
- **Operating temperature:** -10°C to $+50^{\circ}\text{C}$
- **Relative humidity tolerance:** 100% at $+35^{\circ}\text{C}$
- **Overall dimensions:** 130×47×111 mm
- **Weight:** 0.6 kg

Barrel Insert Compatibility:

- **A1:** 5.33–6.85 mm (0.21"–0.27")
- **A2:** 7.00–9.14 mm (0.276"–0.36")
- **A3:** 8.89–11.43 mm (0.35"–0.45")



KN-A

Collimator Sight

KN-A is a lightweight, compact collimator sight designed for rapid target acquisition under varying light conditions, including daylight, twilight, and complete darkness when used with night vision goggles. Its nitrogen-filled, hermetically sealed aluminum alloy housing ensures optical clarity during rapid temperature shifts. The sight features manual brightness control and mounts on standard side rails of AK-series rifles, PKMN, and other compatible weapons.



Key Parameters:

- **Magnification:** 1×
- **Aiming mark size:** 1 MOA (3 cm at 100 m)
- **Brightness settings:** 8 levels (manual)
- **Exit pupil diameter:** 20 mm
- **Windage/elevation adjustment range:** $\pm 1^\circ$ (60 MOA)
- **Adjustment step:** 40" (2 cm at 100 m)
- **Power supply:** 3 V (CR123A or CR1/3N)
- **Continuous operation time:** 150 hours
- **Mount type:** Universal side rail
- **Operating temperature range:** -40°C to $+50^\circ\text{C}$
- **Overall dimensions:** 180×80×185 mm
- **Weight (without accessories):** 0.9 kg



Standard Accessories:

- Anti-reflection bushing
- Protective lens caps
- Waist-belt bag
- Spare power cells



STON

Tactical Scopes (4–14x50 / 6–24x50)

STON tactical scopes are precision optical devices designed for long-range shooting under varying light and environmental conditions. With advanced magnification ranges, high transmission rates, and fine adjustment capability, the scopes are ideal for use on sniper rifles and designated marksman platforms. Both models feature parallax adjustment, wide diopter correction, and durable construction for professional field use.



Key Parameters:

	STON 4-14x50	STON 6-24x50
• Magnification:	4-14x	6-24x
• Objective lens diameter:	50 mm	50 mm
• Field of view:	4.5°-1.5°	3.0°-1.05°
• Exit pupil diameter:	12.5-3.6 mm	8.3-2.1 mm
• Eye relief:	75-97 mm	72-85 mm
• Diopter correction:	-4 ÷ +2 dpt	-4 ÷ +2 dpt
• Twilight factor:	14.2-26.5	17.3-34.6
• Light transmission:	90%	90%
• Focal plane:	Second (Plan II)	Second (Plan II)
• Tube diameter:	30/40 mm	35 mm
• Click value (at 100 m):	1/4 MOA	1/4 MOA
• Parallax adjustment:	Focus	Focus
• Length:	388 mm	417 mm
• Weight:	1.2 kg	1.3 kg



Tactical Observation Binoculars

7x42 / 10x40

These tactical binoculars are designed for day-time observation, target identification, range estimation, and fire correction. Equipped with individual focusing, integrated reticle scale, and built-in liquid compass, they provide clear image resolution and orientation support under various field conditions. The rugged, dust- and moisture-resistant body ensures operational reliability in harsh environments.



Key Parameters :

Parameter	7×42 Binoculars	10×40 Binoculars
Magnification	7×	10×
Angular field of view	7°÷7.5°	5.7°÷6.6°
Objective lens diameter	42 mm	40 mm
Exit pupil diameter	6 mm	4 mm
Reticle scale (horizontal)	0–05 (+0–10) mil	0–08 (+0–06) mil
Ocular adjustment range	–4 to +4 diopters	–4 to +4 diopters
Liquid compass scale	1°	1°
Dimensions	165×190 mm	165×190 mm
Weight	1.0 kg	1.1 kg



GON-1

Telescopic Sight for TAG-7V2 Grenade Launcher

GON-1 is a rugged optical sight designed for targeting with hand-held grenade launchers such as the TAG-7V2 (RPG-7V2) and its modifications. The sight features a calibrated reticle for ballistic compensation, range estimation, and windage/elevation adjustments. Reticle illumination enables low-light operation, while the nitrogen-purged, hermetically sealed housing prevents internal fogging under rapid temperature changes.



Key Parameters:

- Magnification: 2.7×
- Angular field of view: 13 grad
- Entrance pupil diameter: 24 mm
- Exit pupil diameter: 4.5 mm
- Eye relief: 27 mm
- Operating temperature range: -50°C to +50°C
- Overall dimensions: 140×180×62 mm
- Weight: 0.62 kg

Mounting Compatibility:

- TAG-7V2 (RPG-7V2) and variants

Optional Accessories:

- Waist-belt bag
- Sight cover
- Light filters
- Power adapter
- Spare lamps and batteries



A100

Night Vision Monocular

A100 is a lightweight, high-resolution night vision monocular designed for tactical use in low-light and nighttime operations. Featuring a single-tube, single-eyepiece configuration, it allows one eye to remain uncovered for rapid ambient light adaptation. The A100 can also be integrated with day optics as a rifle-mounted night vision module.



Key Parameters:

- **Optical configuration:** Single tube / single eyepiece
- **Magnification:** 1×
- **Field of view:** 40°
- **Focus range:** 25 cm to infinity
- **Eye relief:** 25 mm
- **Weight (without battery):** <350 g
- **Operating temperature:** -51°C to +55°C
- **Storage temperature:** -51°C to +71°C
- **Immersion resistance:** 1 m for 30 minutes
- **Tolerances:** ±10%



Optional Accessories:

- Daylight training filter / sacrificial filter
- Head mount assembly
- Shipping & storage case
- Soft carrying case
- Eyecup and lens cap
- AA batteries (2 pcs)
- Lens-cleaning kit
- Demist shield
- Operator's manual



K1

Gun Collimator

K1 collimator is designed for azimuth alignment of artillery systems when natural aiming points are unavailable due to limited visibility conditions such as night, fog, or battlefield smoke. It is compatible with MPM-44M (MON-44M) mortar sights and includes a tripod, illuminated reticle, and level vial for precise setup. The system ensures accurate laying of the gun line in all weather conditions.



Key Parameters:

- Field of view: $\geq 12^\circ$
- Entrance pupil diameter: ≥ 48 mm
- Optimal operating distance
(from panoramic telescope): 6–10 m
- Number of horizontal reticle marks: 76
- Reticle scale value: 2.2 mils (7.8")
- Reticle inclination angle: $\leq 20'$
- Reticle eccentricity: $\leq 15^\circ$
- Brightness levels: up to 10
- Angular deviation (collimator to gun): $\leq 45^\circ$
- Parallax: ≤ 0.2 mm
- Power supply: 3 V (CR1/3N battery)
- Operating temperature: -50°C to $+50^\circ\text{C}$
- Overall dimensions: 180×135×85 mm
- Collimator weight: ≤ 1.2 kg
- Case weight: ≤ 1.9 kg
- Tripod weight: ≤ 3.6 kg

Compatible System:

- MPM-44M (MON-44M) mortar sig



MTON

Standard Mortar Sight

MTON is a standard optical sight designed for indirect fire alignment of mortars. It features both deflection and elevation mechanisms with coarse and fine adjustment scales. Equipped with reticle and scale illumination, the sight ensures accurate targeting in low-light conditions. When natural aiming points are absent, MTON can be used in conjunction with the K1 collimator for precise gun laying.



Key Parameters:

- **Magnification:** 2.55x
- **Field of view:** 9°
- **Optical resolution:** 25 arcseconds
- **Exit pupil diameter:** 3.9 mm
- **Eye relief:** 20 mm
- **Scale graduation:** 1/6000 mils
- **Elevation angle range:** 0–00 to 10–00 mils
- **Horizontal angle range:** 0–00 to 60–00 mils
- **Mechanical scale graduations:**
 - Coarse: 1–00 mils
 - Fine: 0–01 mils
- **Weight (sight only):** 0.9 kg
- **Weight (packed):** 1.95 kg

Compatibility:

- Usable with K1 gun collimator in low visibility conditions



**BODY
PROTECTION
EQUIPMENT**



Tactical & Assault Body Armor

Modular Ballistic Protection System

Tactical body armor system provides high-level ballistic and fragmentation protection for vital upper-body regions including the torso, shoulders, collar, and throat. Designed for military and law enforcement operations, it features modular adaptability and compatibility with rifle-rated hard armor plates.

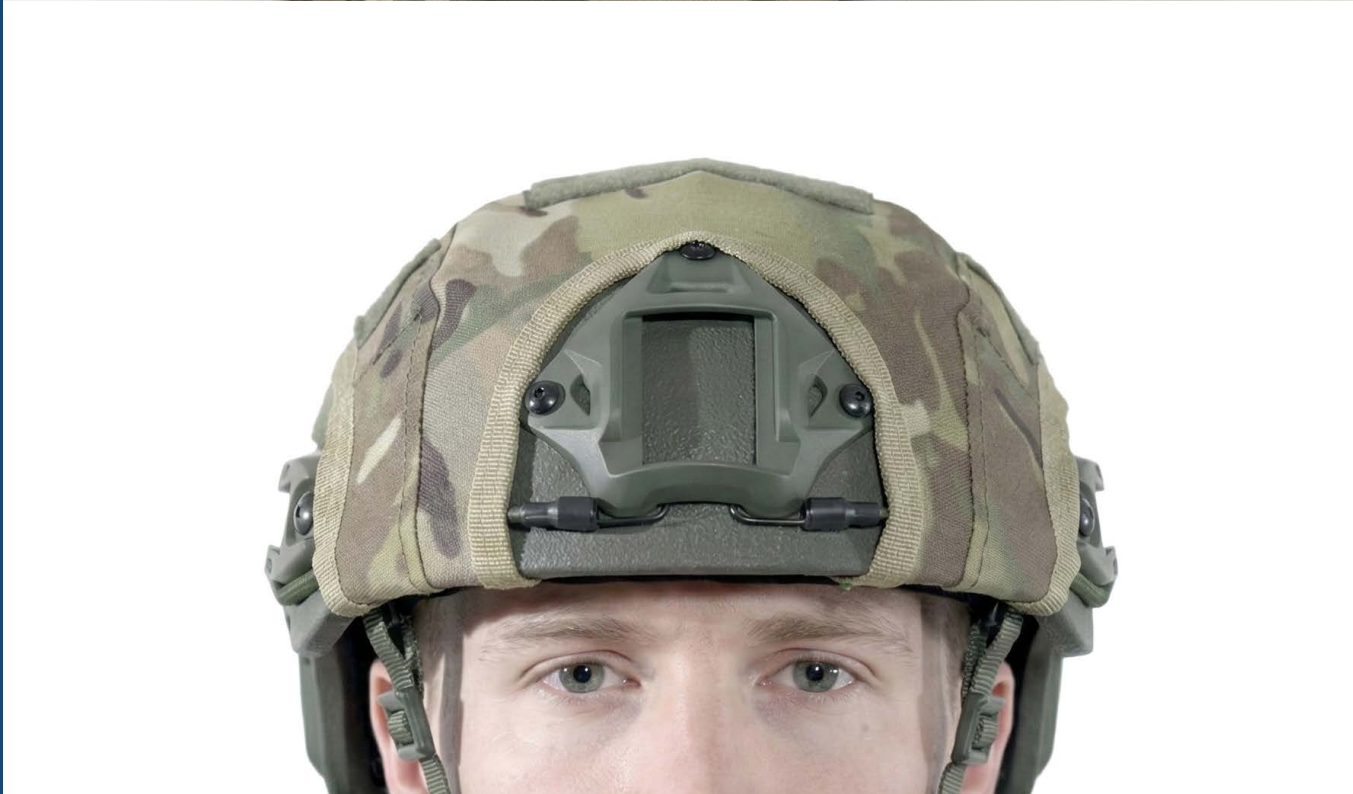


Key Parameters:

- **Protection level:** NIJ Level IIIA (soft armor)
- **Armor type:** Soft panels with front and rear hard plate pockets
- **Ballistic resistance:** Capable of stopping 7.62×39 mm rounds (with hard armor insert)
- **Protection coverage:** Front, back, side, collar, shoulder
- **Fit:** Adjustable waist for customized fit
- **Plate compatibility:** Hard armor insertable (front and rear)
- **Closure system:** Quick-release blast belt
- **Surface:** Waterproof heat-sealed soft armor
- **Configuration:** MOLLE-compatible modular loading system
- **Sizes & Colors:** Multiple sizes and color variants available

Additional Features:

- Thin, flexible soft armor conforms to body shape
- Lightweight construction for enhanced comfort and mobility
- Ideal for tactical assault operations and prolonged wear



Armored Jacket

Personal Protection Wear

Armored Jacket is a personal ballistic protection system designed to provide vital area coverage for military, security, and law enforcement personnel. The set includes a folding collar for neck protection and detachable side panels, offering modular coverage with varying sizes and ballistic surface area.



Key Parameters:

- **Configuration:**

- Folding neck collar
- Removable side protection panels

- **Available sizes (body/height):**

- 50–52 / 170 cm
- 52–56 / 188 cm
- 58–60 / variable height

- **Total weight of armor plates:**

- Size 1: 10.0 ± 0.5 kg
- Size 2: 10.5 ± 0.5 kg
- Size 3: 11.0 ± 0.5 kg

- **Ballistic protection area:**

- Size 1: 44 dm^2
- Size 2: 50 dm^2
- Size 3: 56 dm^2



40 MATBUAT AVENUE, BAKU, AZERBAIJAN, AZ1141

+994 12 311 20 22

INFO@AZERSILAH.COM



Innovation in Defence